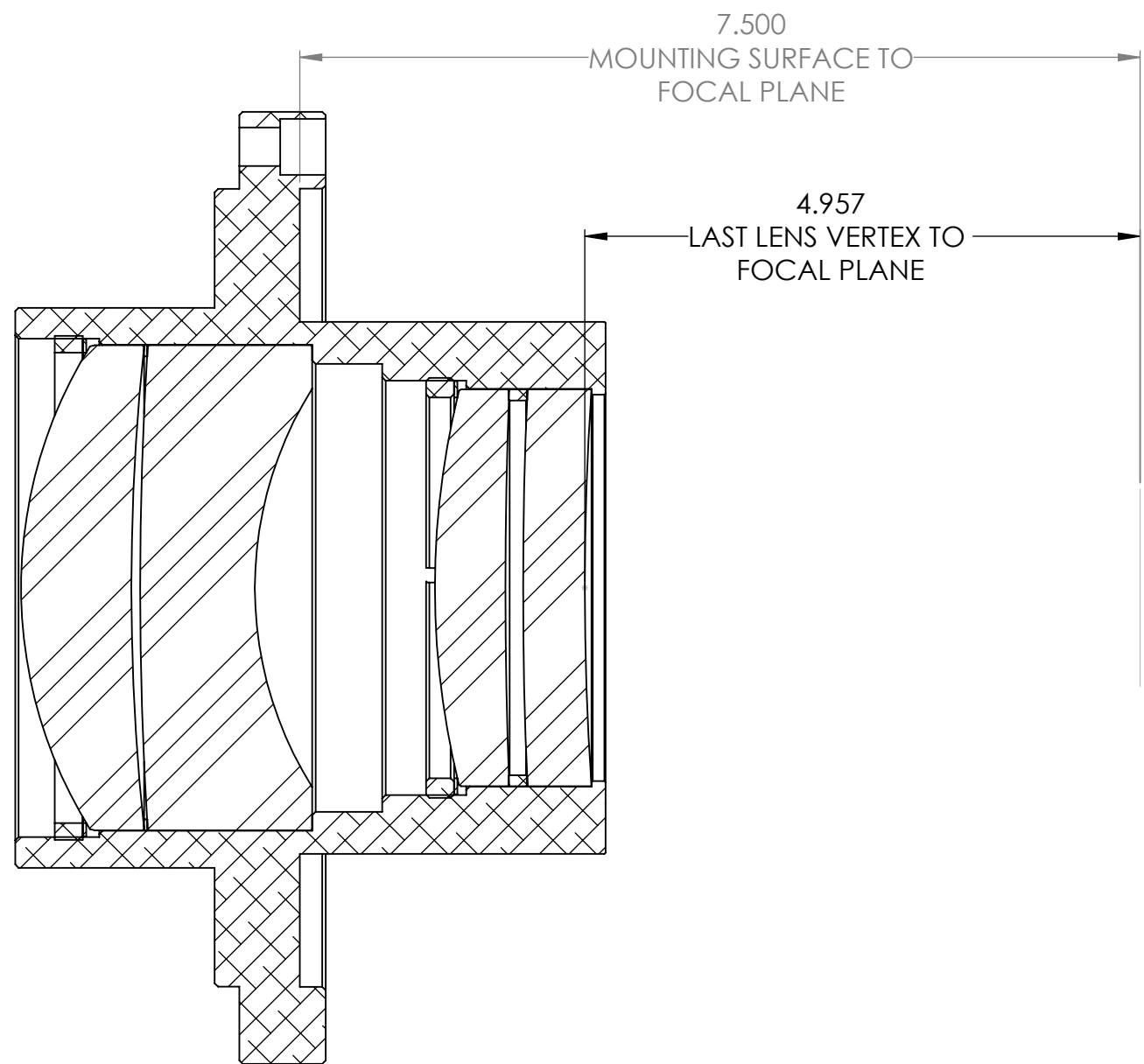
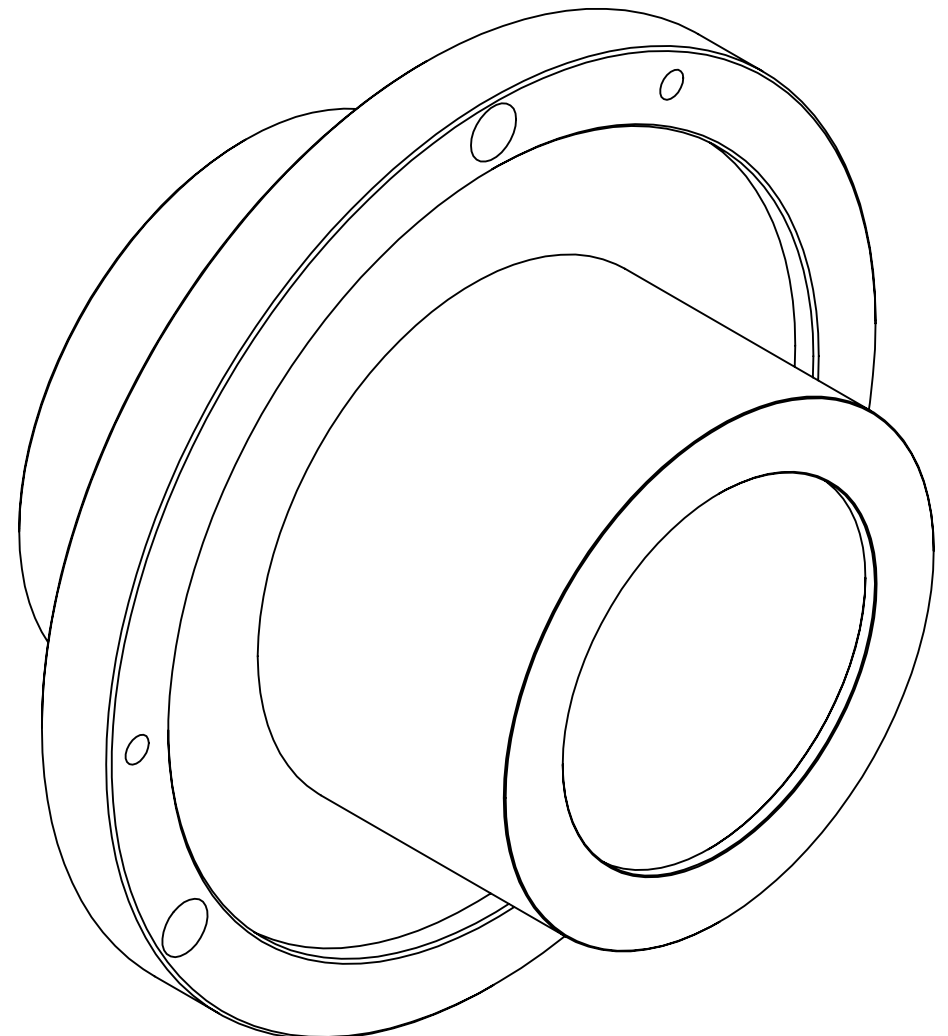


8 7 6 5 4 3 2 1

REVISIONS				
ZONE	REV.	DESCRIPTION	DATE	APPROVED
	A	INITIAL RELEASE	6/29/2022	KAI



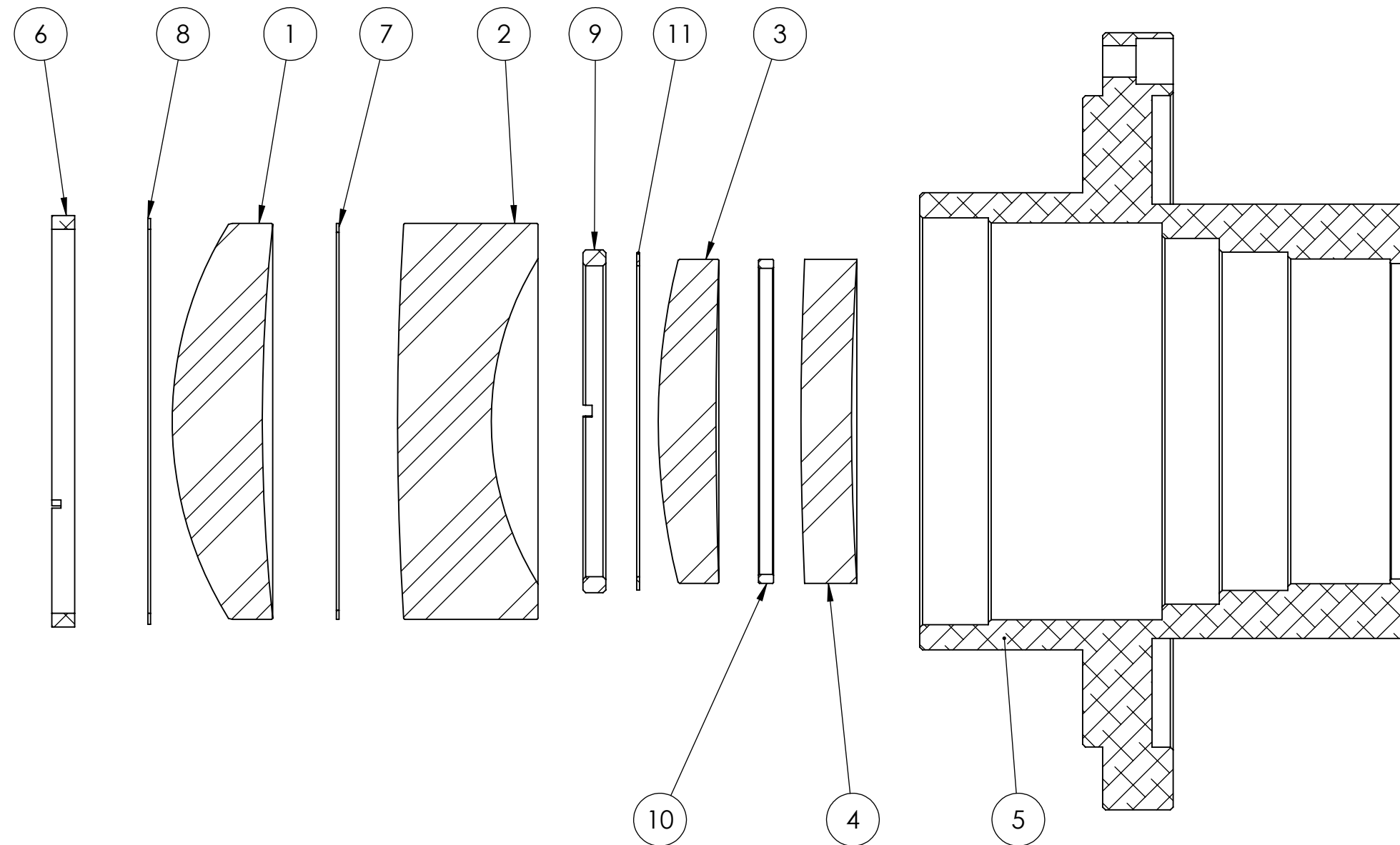
MOUNTS TO PLANEWAVE STANDARD 7.125 FOCUSER FLANGE.
 PROVIDES PLANEWAVE STANDARD 7.125 FOCUSER FLANGE FOR INSTRUMENT MOUNTING

PROPRIETARY AND CONFIDENTIAL
 THE INFORMATION CONTAINED IN THIS DRAWING IS THE SOLE PROPERTY OF PLANEWAVE INSTRUMENTS. ANY REPRODUCTION IN PART OR AS A WHOLE WITHOUT THE WRITTEN PERMISSION OF PLANEWAVE INSTRUMENTS IS PROHIBITED.

UNLESS OTHERWISE SPECIFIED TOLERANCES		NAME	DATE	PlaneWave Instruments	
DECIMAL DIM	ANGULAR DIM	DRAWN	KAI	6/29/2022	TITLE
.XXXX ±.0005	MACHINED ±0° 30'	CHECKED			CDK700 LOW PROFILE REDUCER
.XXX ±.005	LOCATING ±0° 30'	ENG APPR.			
.XX ±.02	FORMED ±1°	MATERIAL	MISC		
	CHAMFERS ±5°	FINISH	THE BEST		
		QUANTITY	1		
		SIZE	DWG. NO.	7002009	REV. A
		SCALE:1:10	CAD FILE: 7002009 (CDK700 LOW PROFILE REDUCER)		SHEET 1 OF 2

8 7 6 5 4 3 2 1

ITEM NO.	PART NUMBER	QTY.
1	700406	1
2	700407	1
3	700408	1
4	700409	1
5	7003169A (LOW PROFILE REDUCER BODY)	1
6	200310A	1
7	7003163A (700 REDUCER 1,2 LENS SPACER)	1
8	7003164A (700 REDUCER 1 LENS APERTURE)	1
9	7003165A (700 REDUCER SMALL RETAINING RING)	1
10	7003166A (700 REDUCER LENS 3,4 SPACER)	1
11	7003167A (700 REDUCER 3 LENS APERTURE)	1



D
C
B
A

D
C
B
A

PROPRIETARY AND CONFIDENTIAL
 THE INFORMATION CONTAINED IN THIS DRAWING IS THE SOLE PROPERTY OF PLANEWAVE INSTRUMENTS. ANY REPRODUCTION IN PART OR AS A WHOLE WITHOUT THE WRITTEN PERMISSION OF PLANEWAVE INSTRUMENTS IS PROHIBITED.

UNLESS OTHERWISE SPECIFIED
 TOLERANCES
 DECIMAL DIM .XXXX ±.0005
 .XXX ±.005
 .XX ±.02
 ANGULAR DIM MACHINED ±0° 30'
 LOCATING ±0° 30'
 FORMED ±1°
 CHAMFERS ±5°

	NAME	DATE
DRAWN	KAI	6/29/2022
CHECKED		
ENG APPR.		
MATERIAL	MISC	
FINISH	THE BEST	
QUANTITY	1	

PlaneWave Instruments		
TITLE		
CDK700 LOW PROFILE REDUCER		
SIZE	DWG. NO.	REV.
B	7002009	A
SCALE:1:10	CAD FILE: 7002009 (CDK700 LOW PROFILE REDUCER)	SHEET 2 OF 2

8 7 6 5 4 3 2 1